

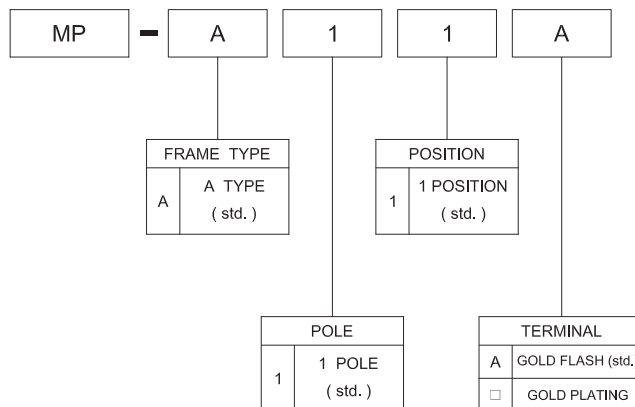
Feature -
mini size
SPST, momentary function

Application -
hearing aid
hand-held device

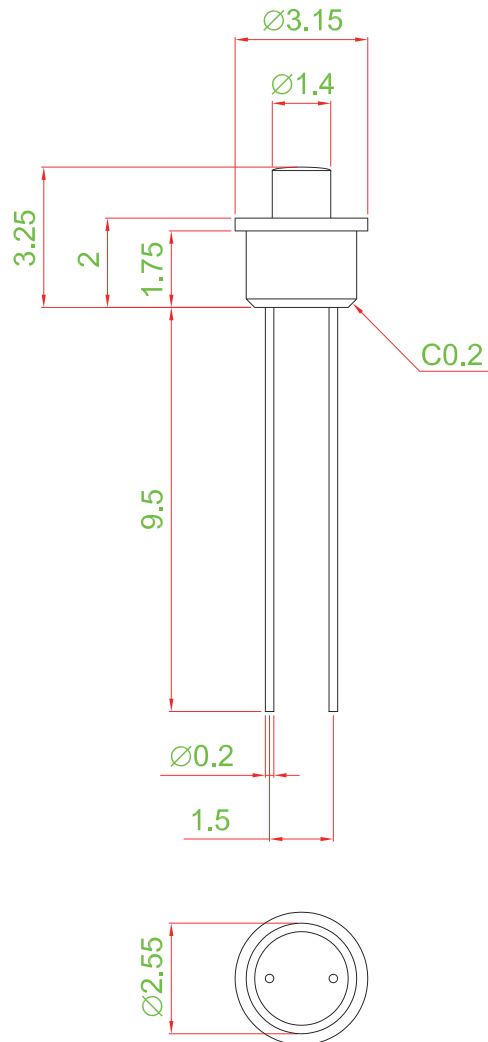
► SPECIFICATIONS

SWITCH SPECIFICATIONS	
POLE - POSITION	Momentary action , SPST
CONTACT RATING	3 V DC , 100 mA
CONTACT RESISTANCE	150 mΩ MAX. 1.5 V DC ; 100 mA , by Method of Voltage DROP
INSULATION RESISTANCE	1 MΩ MIN. 100 V DC
DIELECTRIC STRENGTH	Breakdown is not Allowable ; 100 V AC for 1 Minute
OPERATING FORCE	75 gf ~ 150 gf
OPERATING LIFE	100,000 cycles
OPERATING TEMPERATURE RANGE	-20°C ~ 70°C

► HOW TO ORDER

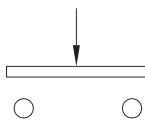


▶ DIMENSION

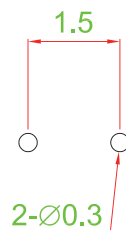


MP-A11A

▶ CIRCUIT



▶ P.C.B LAYOUT



▶ MATERIAL

- COVER : PA + GF
- ACTUATOR : PA + GF
- BASE FRAME : PA + GF
- TERMINAL : BRONZE GOLD FLASH